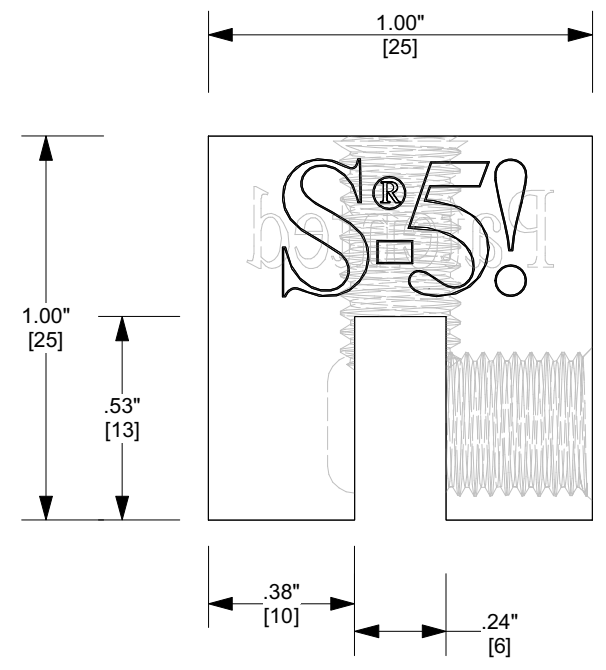
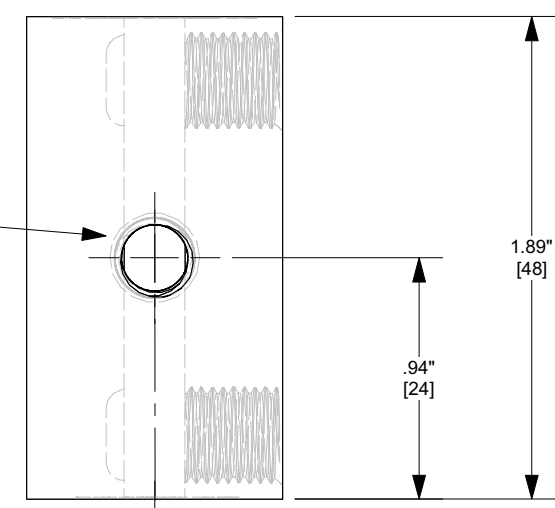
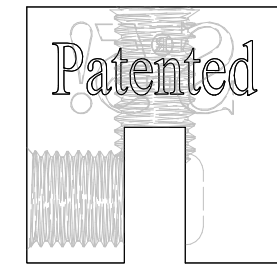


M8-1.25 THREADED HOLE

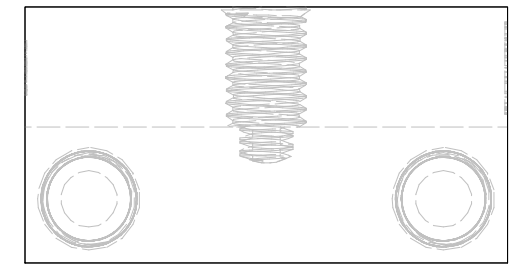
TOP



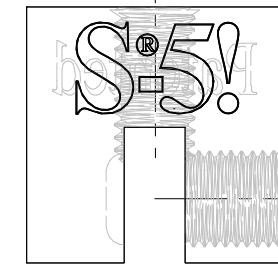
SCALE: 2X



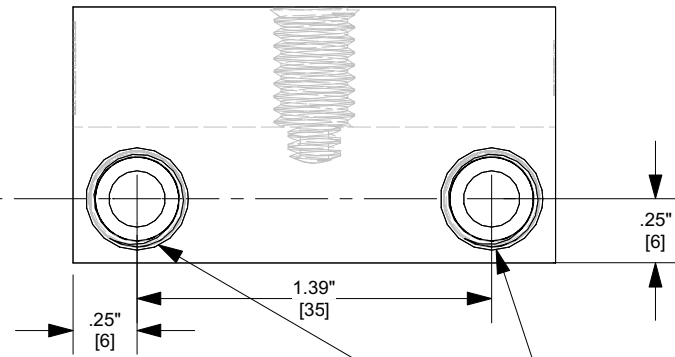
BACK



LEFT



FRONT

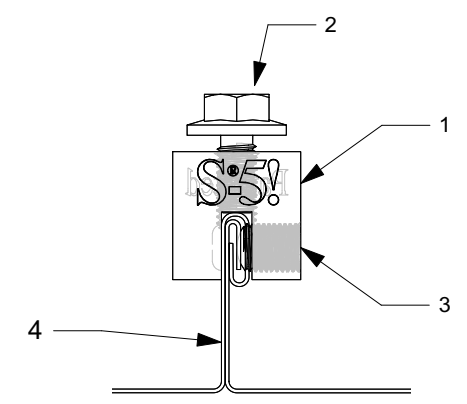


RIGHT


(2X) 3/8-24 THREADED HOLE

General Notes

1. S-5-B CLAMP
2. M8-1.25 16 mm LENGTH 13 mm HEX FLANGE BOLT
3. 3/8-24 0.500" SETSCREW
4. DOUBLE FOLDED COPPER ROOF PROFILE



FOR STANDING SEAM SPECIFIC MECHANICAL LOAD TEST INFORMATION AND CLAMP INSTALLATION INFORMATION PLEASE VISIT: WWW.S-5.COM

MATERIAL: BRASS - C23000		METAL ROOF INNOVATIONS, LTD. 8655 TABLE BUTTE RD COLORADO SPRINGS, CO 80908 719-495-0518 719-495-0045 (FAX)	
EST ASSEMBLY WEIGHT :		TITLE S-5-B	
SUPPLIED HARDWARE: M8-1.25 X 16mm (13mm HEX) 18/8 SS 3/8-24 X .500" 18/8 SS	DRAWING NO. B02-A-2-A CCD	DRAWN BY NH	DATE 12/04/2015
SCALE: 1:0.75	<p>S-5!® PRODUCTS ARE PROTECTED BY MULTIPLE U.S. PATENTS INCLUDING 5,228,248, 5,983,588 AND 6,164,033 (OTHERS ISSUED AND PENDING). EUROPEAN PATENTS ARE ALSO APPLIED FOR AND PENDING UNDER THE PATENT COOPERATION TREATY WITH DIVISIONAL FILING RIGHTS RETAINED. METAL ROOF INNOVATIONS, LTD. (LICENSOR OF S-5!® TECHNOLOGY) AGGRESSIVELY PROSECUTES PATENT INFRINGEMENT.</p>		
OTHER:			