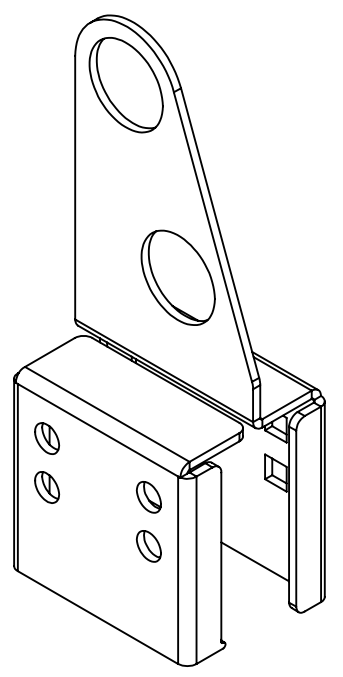
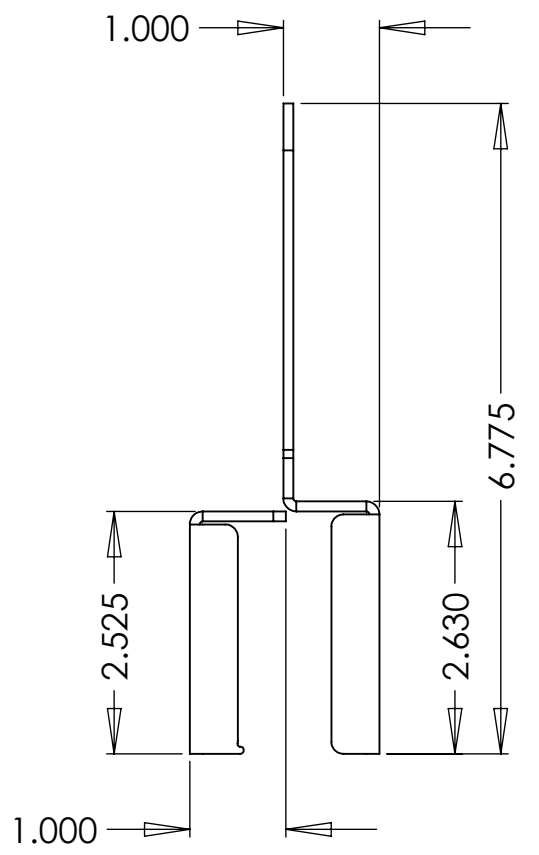
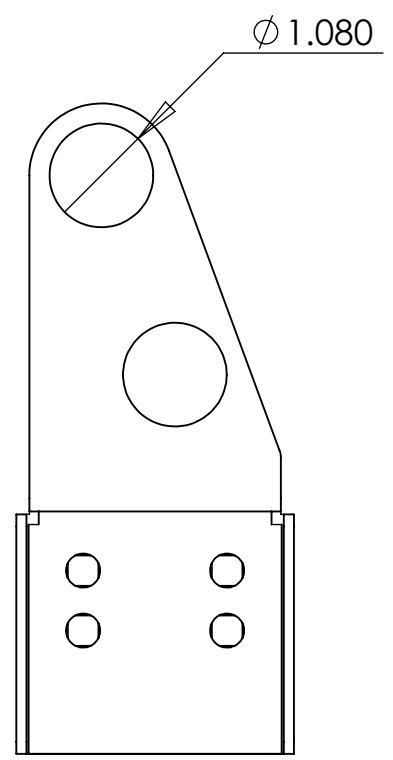
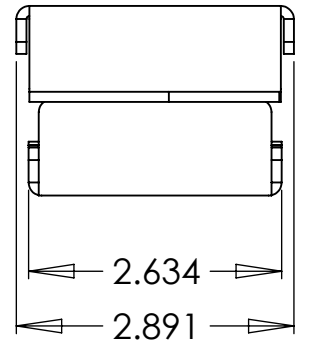


8 7 6 5 4 3 2 1

D
C
B
A

D
C
B
A



UNLESS OTHERWISE SPECIFIED:
DIMENSIONS ARE IN INCHES
TOLERANCES:
FRACTIONAL \pm
ANGULAR: MACH \pm BEND \pm
TWO PLACE DECIMAL \pm
THREE PLACE DECIMAL \pm

PROPRIETARY AND CONFIDENTIAL
THE INFORMATION CONTAINED IN THIS DRAWING IS THE SOLE PROPERTY OF VSM TECHNOLOGIES. ANY REPRODUCTION IN PART OR AS A WHOLE WITHOUT THE WRITTEN PERMISSION OF VSM TECHNOLOGIES IS PROHIBITED.
© 2006 VSM TECHNOLOGIES

MATERIAL			
Bending	TOP	BTM	S.A.
Tool Set 1			
Tool Set 2	NA	NA	NA
Tool Set 3	NA	NA	NA
	NAME		DATE
DRAWN			9/10/2015

COMMENTS:

vsm technologies
3200 s. yellowstone hwy
idaho falls, idaho 83402
208.522.2233

TITLE
DRC-1 STANDARD DOUBLE

DWG. NO. **10L03Q-02** REV

SCALE: 1:2 SHEET 1 OF 2

REV.	DESCRIPTION	DATE	MADE BY
	REVISIONS		

8 7 6 5 4 3 2 1